

# The new BMW 6 Series Coupé. Contents.



<b>1. At a glance. ....</b>	<b>2</b>
<b>2. Inspired by a passion for aesthetics and dynamics: The new BMW 6 Series Coupé. ....</b>	<b>4</b>
<b>3. Output and torque diagrams. ....</b>	<b>20</b>
<b>4. Exterior and interior dimensions. ....</b>	<b>22</b>

# 1. At a glance.



- Captivating aesthetics, top-class performance, an exclusive interior and exceptionally innovative equipment features give the third-generation BMW 6 Series Coupé “dream car” credentials.
- Vehicle concept is unparalleled in the premium segment, combining the dynamics of a 2+2-seater sports car with outstanding touring comfort; body length and wheelbase 75 millimetres longer than the predecessor model, enhancing seating comfort for rear passengers; extremely sporty appearance thanks to a 39-millimetre increase in width and 5-millimetre reduction in height.
- Two engine variants available from launch: BMW 650i Coupé with eight-cylinder powerplant (300 kW/407 hp), BMW 640i Coupé with six-in-line petrol unit (235 kW/320 hp).
- Both engine variants come as standard with an eight-speed Sports automatic gearbox; BMW EfficientDynamics measures unmatched in the segment (including Auto Start-Stop function and ECO PRO mode in the BMW 640i Coupé); optimised efficiency combined with significant output increase over predecessor models of 30 kW (BMW 650i) and 35 kW (BMW 640i).
- Newly developed chassis; only car in the segment available with Electric Power Steering and optional Integral Active Steering; Drive Dynamic Control fitted as standard, Dynamic Damper Control and Adaptive Drive optional.
- First car in the segment with Adaptive LED Headlights for low and high beam, including cornering function, foglamps and rear lights also with LED technology.
- Standard BMW iDrive control system with freestanding Control Display; unrivalled range of BMW ConnectedDrive features, including latest-generation BMW Head-Up Display (with high-definition, full-colour-spectrum graphics), rear-view camera, Surround View, Speed Limit Info, BMW Night Vision and Parking Assistant
- Driving pleasure tailored to individual preferences thanks to unique equipment options, including comfort and sports seats, active seats, seat ventilation, Exclusive Nappa leather, ceramic applications, and a

newly developed and model-specific Bang & Olufsen High-End Surround Sound System.

- Model variants:

**BMW 650i Coupé:** V8 petrol engine, BMW TwinPower Turbo technology with High Precision Injection direct injection.

Displacement: 4,395 cc, output: 300 kW/407 hp at 5,500 – 6,400 rpm, max. torque: 600 Nm at 1,750 – 4,500 rpm.

Acceleration 0–100 km/h (62 mph): 4.9 seconds, top speed: 250 km/h (155 mph).

Average fuel consumption according to EU standard:

10.4 litres/100 kilometres (27.2 mpg imp)\*,

CO<sub>2</sub> emissions according to EU standard: 243 g/km\*,

exhaust standard: EU5.

**BMW 640i Coupé:** Six-cylinder in-line petrol engine, BMW TwinPower Turbo technology with direct-injection High Precision Injection and VALVETRONIC.

Displacement: 2,979 cc, output: 235 kW/320 hp at 5,800 rpm,

max. torque: 450 Nm at 1,300 – 4,500 rpm.

Acceleration 0–100 km/h (62 mph): 5.4 seconds, top speed: 250 km/h (155 mph).

Average fuel consumption according to EU standard:

7.7 litres/100 kilometres (36.7 mpg imp)\*,

CO<sub>2</sub> emissions according to EU standard: 179 g/km\*,

exhaust standard: EU5.

\* The fuel consumption and CO<sub>2</sub> emissions stated are provisional figures

## 2. Inspired by a passion for aesthetics and dynamics: The new BMW 6 Series Coupé.



The hearts of sports car aficionados with an eye for beauty and a thirst for luxury and innovative technology will beat a little faster with the arrival of the new BMW 6 Series Coupé. The third generation of the top-class Coupé sees premium carmaker BMW adding another intoxicating chapter to its decades-long tradition in the production of exclusive dream cars. The new BMW 6 Series Coupé impresses with its irresistible design and inspires with even sharper driving dynamics than its predecessor, noticeably optimised comfort levels and extra space. This is the only car in the segment to offer the combination of top-class sporting ability, exclusive touring comfort and a 460-litre (16.24 cu. ft) luggage space. Also on board to deliver the BMW 6 Series Coupé's signature driving experience are a range of innovative driver assistance systems and BMW ConnectedDrive infotainment features. The new car therefore meets the highest – not to mention the broadest – expectations of driving pleasure in a large, premium 2+2-seater in incomparable style.

Its unmistakable design language gives the new BMW 6 Series Coupé an aura of athletic elegance. The sweeping bonnet, short front overhang and set-back passenger compartment team up with a 74-millimetre increase in body length (4,894 mm) over its predecessor and a 75-millimetre longer wheelbase (2,855 mm) to create the hallmark proportions of a BMW Coupé. Meanwhile, the extra width of the new car – it is now 39 millimetres wider (at 1,894 mm) thanks to its increased track width – makes for an exceptionally powerful stance that emphasises its impressive roadholding. All of which ensures that observers are struck by the car's dynamic forward-surgingly presence and promise of majestic driving ability the moment they set eyes on it. The faithful reflection of the car's character in its exterior styling is given particular appeal by the lines running along the full length of the body and its harmoniously curved surfaces. The inspiration for these design features was the natural movement of waves. In the same way as water is parted by an object in flowing water, the car body's shaping lines fan out from the BMW badge on the bonnet to both sides of the body.

BMW TwinPower Turbo technology with petrol direct injection provides both sporty power development and exceptional efficiency in the engines available for the new BMW 6 Series Coupé from launch. In the new BMW 650i Coupé, a V8 powerplant with turbochargers positioned between the cylinder banks develops maximum output of 300 kW/407 hp. An exclusive feature of the 235 kW/320 hp six-cylinder in-line engine in the new BMW 640i Coupé, meanwhile, is the addition of VALVETRONIC variable valve control. Both units are hooked up to an eight-speed Sports automatic gearbox as standard. Also part of the standard specification is an extensive range of BMW EfficientDynamics technology, including the Auto Start-Stop function and ECO PRO mode (in the BMW 640i Coupé).

The new BMW 6 Series Coupé strikes an ideal balance between dynamic handling and ride comfort thanks to a newly developed chassis. Its standard Electric Power Steering and optional Integral Active Steering both break new ground in this segment. Also on the options list are Dynamic Damper Control and the Adaptive Drive system, complete with roll stabilisation. Drive Dynamic Control – which allows drivers to adjust the car's set-up to their individual tastes – comes as standard in the new BMW 6 Series Coupé.

The innovations in the new BMW 6 Series Coupé also extend to light technology, in the shape of Adaptive LED Headlights. Their bright white light provides an extremely intense and evenly spread illumination of the road. This technology is unparalleled in the segment and also allows the beam of the headlights to follow the progression of corners. Customers can also order their Coupé with optional LED foglamps.

Other features that set the new car apart from its rivals are the BMW ConnectedDrive driver assistance systems and mobility services. The rear-view camera, Surround View, Parking Assistant, BMW Night Vision with pedestrian recognition, Speed Limit Info, Lane Departure Warning System and Lane Change Warning System are joined on the list of available equipment items by the new generation of the BMW Head-Up-Display. The latest incarnation of the system uses a full spectrum of colours to display the information projected onto the windscreen. The BMW iDrive control system, meanwhile, is included as standard in the BMW 6 Series Coupé as an operating portal for the navigation, communications and infotainment functions. Its Control Display comes in the form of a fixed, freestanding flatscreen, which adds an extra ex-

clusive flourish to the generously sized and luxurious interior. Elsewhere, the optional Bang & Olufsen High-End Surround Sound System lays on a feast of aural pleasure seldom experienced inside a car.

### **The design: commanding presence and athletic elegance.**

The new BMW 6 Series Coupé heralds the arrival of an exceptionally sporty and exclusive 2+2-seater in the premium segment of top-class Coupés. The new model's extra length and width over its predecessor model combine with its 5-millimetre lower height to produce a strikingly low-set and powerful design. The new interpretation of the traditional BMW Coupé proportions is embellished by lines and surfaces inspired by the movement of waves. Flowing lines and harmonious curves create a feeling of athletic grace, complemented by extremely classy and eye-catching design features which underline the opulent character and elegant appearance of the two-door BMW.

The expressive front end is dominated by the large and slightly forward-slanting BMW kidney grille. The grille emphasises the car's sporting pedigree with a broad, flat design, and creates a visual connection with the engine nestling behind. The kidney grille slats, angled slightly towards the top, lend additional emphasis to the front end's "shark nose" character. The contour lines of the bonnet converge towards the kidney grille, forming a V-shape which is continued by the contours of the headlights, kidney and wide air intake to give a road-focused look. High-quality chrome elements and the LED units of the optional foglamps positioned in front of them guide the eye to the muscular wheel arches.

### **High-visibility innovation: Adaptive LED Headlights.**

The new BMW 6 Series Coupé is equipped with bi-xenon headlights as standard. An accentuating trim element cuts across the top of the hallmark BMW twin round headlights to produce the intent look familiar from other BMW models. The optional Adaptive LED Headlights provide a fresh take on this established feature. The Adaptive LED Headlights for low beam and high beam contain LED light rings for the parking lights and daytime running lights, which are levelled off at the lower edge and overlapped at their top edge by an accent light – also featuring LEDs. The result is a stunning, distinctively BMW showcase for the innovative light technology below the surface. In addition, they also generate the low beam and high beam light from the two light rings. The light sources here are horizontal LED ribs positioned in the centre of the

light rings. The brand's hallmark twin round headlight look is therefore expressed even more strikingly not only with the daytime running lights switched on, but also when the headlights are activated in the dark.

However, the Adaptive LED Headlights are about more than just looking good; they also ensure the driver can see well. Their bright white light provides an intense and even illumination of the road ahead. From a colour perspective, the light comes much closer to natural daylight than that created by conventional halogen or xenon headlights, lending even reflective objects far greater contrast. The cornering element of the Adaptive LED Headlights is also tailored to the car's speed, steering angle and yaw rate, allowing the pivot of the headlights to adapt automatically to the line of the corner. Meanwhile, a light source positioned specially in the headlight housing generates the cornering light which, at low speeds, ensures illumination of the road surface in the direction the car is turning. LED technology is also deployed for the direction indicators, each of which consists of eight LED units arranged in a row underneath the light rings. As well as enhancing visibility in the dark, the Adaptive LED Headlights thus also significantly improve the signalling effect of the car's lights.

**Side view: elegant roofline, powerfully curved surfaces.**

Tightly curved surfaces and character lines stretching the full length of the body define the side view of the BMW 6 Series Coupé. The forward-slanting BMW kidney grille is particularly clear from this angle. Despite its smooth curves and innovative pedestrian protection measures, the long bonnet still has a flat appearance. Its contour lines fan out wide and extend towards the rear. In combination with the car's typical Coupé proportions, this creates a particularly elegant, elongated silhouette.

The exterior design has been inspired by waves with clearly defined lines and volume formed around an object in flowing water. This gives the new BMW 6 Series Coupé a naturally powerful and sporty edge. The typical BMW swage line extends out from behind the front wheel arch, takes in the sporty gill feature and extends dynamically along the flank of the car to the rear. In so doing, it stretches the new BMW 6 Series Coupé visually and lends it a dynamic yet elegant allure. The door handles are integrated precisely into the swage line. A further character line emerges from the swell of the front wheel

arch, before dropping down between the gill and the door and then levelling out towards the rear, its path replicating a forward-surging wave. The door sill line underneath it and an additional crease give the lower edge of the body a light and sporty appearance.

The roofline of the new BMW 6 Series Coupé also swoops in an elegant, flat progression into the tail. It comes across as especially svelte when viewed from the side, creating a contrast typical of BMW Coupés between the powerful body and light passenger compartment. Doors with frameless windows underline this impression. The chromed side window border emphasises the “counter-swing” at the foot of the C-pillar (known as the Hofmeister kink) with its particularly tight line.

**Rear view: striking indications of dynamic and secure roadholding.**

From the rear, the new BMW 6 Series Coupé exudes power, athleticism and solidity. Bulging wheel arches accentuate the wide track of the new car, offering a hint of its impressive roadholding. Added to which, horizontal lines and the broadening impression of the car’s shape as you follow it towards the rear paint a clear picture of the sporting performance waiting to be unlocked. The slightly concave lower section of the boot lid generates light and shade effects which lend an extra lightness to the rear of the car. The edges of the boot lid and the licence plate surround create a V-shape, which – similarly to the front of the car – steers the eye towards the road. The exhaust tailpipes are positioned on either side of a diffuser-style apron. On the BMW 650i Coupé they are trapezoidal in shape while on the BMW 640i Coupé they are circular.

The two-part rear light clusters display the customary BMW L-shape in a particularly wide rendition that extends far into the boot lid, while the swage line that flows into the rear lights forges a harmonious link between the side and the rear of the car. Inside the rear light clusters, two LED-powered light strips generate the familiar BMW night-time look, an effect that is reinforced by the L-shaped lower light unit. The direction indicators and brake lights are also LED-powered. The wide additional brake light is located in the upper edge of the boot lid.



### **Interior: driver-oriented cockpit, exclusive ambience.**

The driver-oriented cockpit layout familiar from BMW models down the years and a dynamic forward-surging movement define the design of the interior. The centre section of the instrument panel – including the Control Display, the central air vent and the controls for the audio system and climate control – is angled slightly towards the driver. The gearshift lever is located on a surface that opens out towards the driver and is set lower than the front passenger side of the centre console. This structure is repeated in the central section of the instrument panel, further enhancing the driver-focused feel. The fluent transition between the centre console and instrument panel can be accentuated with optional stitching in contrasting colour for the leather surfaces.

The horizontal structuring of the instrument panel is accentuated by an electroplated strip on the driver's side of the cabin. This is extended into the front-passenger side in the form of a subtle crease in the glove compartment. Meanwhile, powerfully taut waistline surfaces – which are carried forward into the instrument panel – embody the feeling of dynamic forward movement inside the cabin. The decorative surface of the instrument panel extends into the centre console with an elegant, slightly curving sweep to lend the front-passenger side an exclusive allure.

The rear seats also provide their passengers with a very pleasant level of touring comfort thanks to their individual-seat character and greater shoulder and elbowroom compared with the outgoing model. In addition, there is also more headroom for all the passengers, despite the reduced overall height of the car. The rear seat backrests can be specified as an option with a through-loading facility for a ski bag, allowing two pairs of skis to be transported in comfort. The luggage area can accommodate 460 litres (16.24 cu. ft) of luggage, which means that the BMW 6 Series Coupé can carry three 46-inch golf bags or two medium-sized hard-shell cases plus a flight case.

### **Optimised display, exclusive feel: instruments in black-panel technology, Control Display with flatscreen design.**

The instrument cluster in black-panel technology combines state-of-the-art display technology with classic sports-car circular instruments. A high-resolution 9.2-inch display below the four dials includes the mileage counter, fuel consumption and Efficient Dynamics display, as well as feedback from the

driver assistance systems and Check/Control messages. This black-panel technology, which made its debut in the BMW 7 Series, is also used for the climate control displays in the centre section of the instrument panel.

In addition to the Controller with direct menu control buttons positioned on the console centre, the standard-fitted iDrive operating system also comes with a new monitor in exclusive flatscreen design. This freestanding Control Display is located in a prominent and optimal position within the instrument panel, and creates the feeling of a powerboat cockpit rising up dynamically in front of the driver and front passenger. The central Control Display in the new BMW 6 Series Coupé has a 7-inch-diameter screen as standard. However, if the optional Navigation system Professional is specified, this is upgraded to a 10.2-inch version – the largest on-board monitor in the segment – bordered by a high-class electroplated chrome surround.

The exterior paintwork of the new BMW 6 Series Coupé can be ordered in a choice of eight metallic and two non-metallic shades, allowing customers to highlight both the sporting credentials of the Coupé and its modern and elegant character. The standard Dakota leather trim is available in three colour variants, the optional Exclusive Nappa leather in a choice of four shades. As an alternative to the standard Softskin surfacing, the instrument panel, door and side panels can be specified with Exclusive Nappa leather trim. Also, double French seams in a contrasting colour matching the seat covers can be ordered in place of the black French seams. The interior trim comes as standard in High-gloss Black, but can alternatively be ordered as an option in Brushed Aluminium, Poplar Grain Grey or American Oak high-gloss. Optional ceramic applications for the audio system and air conditioning controls, gearshift lever and iDrive Controller lend the interior an extra flourish.

**Outstanding seat comfort, comprehensive safety equipment, body with excellent torsional rigidity.**

The lightweight seats with integrated belt system developed for the new BMW 6 Series range are available in three variants. The integrated belt system makes it easier both to reach the belt and to climb into the rear of the car. The standard-fitted driver and front passenger seats boast electric adjustment for the seat height and fore/aft position, backrest angle and head restraint height –

including memory function – as well as seat heating and an easy-entry function to facilitate access to the rear compartment.

The optional sports seats offer optimal lateral support with their raised seat and backrest sides, and come fitted with integrated head restraints as well as manually adjustable thigh support. Comfort seats are another option, adding comfort head restraints, lumbar support, and electric adjustment of the thigh support, backrest width and angle of the upper backrest segment. Offering an alternative to the standard Dakota leather upholstery is Exclusive Nappa leather with extended features. For the sports seats and comfort seats, there is the added option of active seat ventilation. Plus, comfort seats can also be specified with the active seat function.

All the seat variants available for the new BMW 6 Series Coupé come with crash-activated head restraints. The standard safety specification also includes front airbags, seat frame-mounted side airbags, side curtain head airbags for both rows of seats, three-point inertia-reel seatbelts on all seats, belt force limiters and belt latch tensioners, as well as ISOFIX child seat attachments in the rear. To optimise passive pedestrian protection, in some national markets the new BMW 6 Series Coupé is equipped with an active bonnet system; in the event of a collision with a pedestrian, a pyrotechnic actuator mechanism automatically raises the front and rear of the bonnet.

The new BMW 6 Series Coupé is fitted with robust load-path structures, precisely defined deformation zones and an extremely rigid safety passenger cell. These safety features ensure maximum occupant protection in all types of collision. Carefully targeted advances in the use of materials have increased the strength and lowered the weight of the body with the aim of enhancing both the safety and agility of the car. Indeed, the static torsional rigidity of the new Coupé is around 53 per cent greater than that of its predecessor. In the interests of weight optimisation, the doors, bonnet and front axle spring mounts are all aluminium, while the front side panels are made from plastic and the boot lid from glass fibre composite.

### **Top-class performance from eight or six cylinders:**

#### **BMW TwinPower Turbo in the new BMW 6 Series Coupé.**

One V8 and one six-cylinder in-line engine are available for the new BMW 6 Series Coupé from market launch, and both can claim unique features.

These power units are kitted out with BMW TwinPower Turbo technology, including High Precision Injection petrol direct injection, and stand out with their instantaneous power development, majestic in-gear acceleration, outstanding refinement and exemplary efficiency for their output class.

The eight-cylinder power unit in the new BMW 650i Coupé produces maximum output of 300 kW/407 hp from its 4.4-litre displacement between 5,500 and 6,400 rpm. This unique engine, whose turbochargers are positioned in the V-shaped area between the cylinder banks, produces an instantaneous and sustained wave of power, making it a feast for the enthusiast driver. Peak torque of 600 Newton metres (443 lb-ft) is served up between 1,750 and 4,500 rpm. The sporting performance attributes of the V8 engine enable the new BMW 650i Coupé to accelerate from 0 to 100 km/h (62 mph) in 4.9 seconds, leaving the engine electronics to call a halt to proceedings at 250 km/h (155 mph). And yet the range-topping model also demonstrates extraordinary efficiency for this output class, recording average fuel consumption of 10.4 litres\* per 100 kilometres (27.2 mpg imp) in the EU test cycle, together with CO<sub>2</sub> emissions of 243 grams\* per kilometre.

The new BMW 640i Coupé is powered by a six-cylinder in-line engine in which the BMW TwinPower Turbo technology brings both direct injection and VALVETRONIC fully variable valve control to the table. This combination optimises both the responsiveness and efficiency of the 3.0-litre powerplant, which generates maximum output of 235 kW/320 hp at 5,800 rpm and puts its peak torque of 450 Newton metres (332 lb-ft) on tap between 1,300 and 4,500 rpm. The BMW 640i Coupé completes the sprint from rest to 100 km/h (62 mph) in 5.4 seconds, and its top speed is electronically limited to 250 km/h (155 mph). Average fuel consumption in the EU test cycle stands at 7.7 litres\* per 100 kilometres (36.7 mpg imp), while CO<sub>2</sub> emissions come in at 179 grams\* per kilometre.

**Standard-fitted eight-speed Sports automatic gearbox with steering wheel shift paddles; BMW 640i Coupé with Auto Start-Stop function.**

Both the BMW 650i Coupé and BMW 640i Coupé transfer their power to the rear wheels via an eight-speed Sports automatic gearbox. This standard-fitted unit enhances sporty driving with exceptionally rapid gear changes, offers outstanding shift comfort and also optimises the efficiency of both model variants.

The innovative gear set configuration of the compact, low-weight automatic allows it to offer eight gears and a correspondingly wide gear spread. This not only enhances the car's sprinting ability, but also supports economical driving at low revs. With its minimal converter slip and impressive inherent efficiency, the eight-speed Sports automatic helps to ensure efficient power transmission. And the driver can also change gear manually using the shift paddles mounted on the steering wheel.

Extensive BMW EfficientDynamics technology also plays its part in cutting fuel consumption and emissions in the new BMW 6 Series Coupé. Among the systems fitted as standard are Brake Energy Regeneration, Electric Power Steering (EPS), the on-demand operation of ancillary components, intelligent lightweight construction and low-rolling-resistance tyres. The new BMW 640i Coupé is also fitted with automatic active air flap control and the Auto Start-Stop function. When the driver draws to a standstill at junctions or in a traffic jam, the engine is automatically switched off to prevent unnecessary fuel consumption at idle. As soon as the driver releases the brake pedal, the engine starts up again. If the driver is using the Auto Hold function, the engine is restarted when the accelerator is depressed.

Another innovation also helps smooth the way to particularly low fuel consumption while on the move. A touch of the Drive Dynamic Control button allows BMW 640i Coupé drivers to activate ECO PRO mode and unlock additional efficiency-boosting potential. ECO PRO mode tweaks the engine management, the accelerator mapping and the shift characteristics of the automatic gearbox to favour a consciously relaxed and frugal driving style at low engine revs. At the same time, efficient power usage for electrically operated functions such as the climate control system and the seat and exterior mirror heating ensures extremely efficient in-car energy management. Special readouts in the instrument cluster and Control Display keep the driver informed on the levels of energy efficiency currently being achieved, as well as keeping a record for the journey up to that point, and encourage a driving style that minimises fuel consumption. For example, the increase in range achieved by using ECO PRO mode is shown in kilometres.

**Advanced chassis technology and optional Adaptive Drive deliver the perfect balance of sports performance and comfort.**

The driving experience in the new BMW 6 Series Coupé is defined by sporty handling characteristics. However, the cutting-edge chassis technology of the two-door car also delivers impressive ride comfort. Both the double wishbone front axle and the integral rear axle are made predominantly from aluminium. The chassis set-up is geared to the requirements of drivers with sporting intentions, although the dampers also respond sensitively to bumps in the road surface under high lateral acceleration.

Available as options for both model variants are Dynamic Damper Control and the Adaptive Drive system, which also includes Dynamic Drive active roll stabilisation. The electronically controlled dampers adapt to both the nature of the road surface and the driver's style to prevent unwanted movements in the car body, while an innovative damping system adjusts the compression and rebound settings continuously and independently from one another. For example, a stiff chassis setting can be impressively combined with comfortable responses to unevenness in the road surface. The roll stabilisation feature also reduces effects such as body roll in high-speed corners and under sudden changes in direction.

**Unmatched in the segment: Electric Power Steering as standard, Integral Active Steering optional.**

The Electric Power Steering system with Servotronic function delivering speed-sensitive power assistance is unique in the BMW 6 Series Coupé segment and combines customary BMW precision, comfort and efficiency. In contrast to conventional mechanical/hydraulic systems, the power assistance is provided by an electric motor, which only goes to work – and therefore uses energy – if power assistance is required or desired by the driver.

In addition, the new BMW 6 Series Coupé is the first car in its class that can be ordered, as an option, with Integral Active Steering. This system combines the Active Steering system for the front axle – already available for the predecessor model – with a steering rear axle, allowing the steering angle and power assistance to be controlled at both the front and the rear with the help of electric motors. Precisely harmonised wheel deflections pave the way for extraordinary agility in dynamic driving situations. Also, Integral Active Steering dis-

plays an impressively deft touch around twisty mountain passes and in city traffic. At speeds of up to 60 km/h (37 mph), the rear wheels are turned in the opposite direction to the steering angle of the front wheels. This has the effect of reducing the car's turning circle and the amount of steering effort required. At higher speeds, Integral Active Steering gives the car extremely comfortable and assured reactions when changing lanes and cornering. The rear wheels follow the same steering movements as the front wheels, enabling the car to follow the course set by the driver with even greater immediacy and precision.

**Drive Dynamic Control gives the driver the choice of car set-up.**

With Drive Dynamic Control, the virtues of sportiness and comfort can take precedence as the situation demands. Drivers can make their own choice of suspension settings in NORMAL, SPORT and SPORT+ modes using a button on the centre console. In the new BMW 640i Coupé, ECO PRO mode can also be activated. If the Dynamic Damper Control or Adaptive Drive option has been specified, the COMFORT setting can also be used. In this mode, as well as adjusting the accelerator pedal progression, engine responses, power steering characteristics, DSC response thresholds and the shift dynamics of the automatic gearbox, Drive Dynamic Control also tweaks the damper responses and, if necessary, the roll stabilisation settings. On cars also fitted with Integral Active Steering, the basic steering set-up is also adjusted according to the mode selected, as well as the level of power assistance. As a result, in SPORT and SPORT+ modes the car's sporting responses are sharpened even further.

The lightweight, floating-calliper brakes with inner-vented discs are easy to use with precision, and their effectiveness is reinforced by Dynamic Stability Control (DSC). This driving stability system brings together technology such as the anti-lock braking system (ABS), Dynamic Traction Control (DTC), Cornering Brake Control (CBC), Dynamic Brake Control (DBC), the Start-Off Assistant, the automatic Brake Drying function and brake fade compensation. Standard equipment also includes 18-inch light-alloy wheels on the new BMW 650i Coupé or 17-inch rims for the new BMW 640i Coupé, as well as runflat tyres and a runflat indicator.

**Exclusively from BMW ConnectedDrive: a wide range of driver assistance systems, including BMW Head-Up Display with a full spectrum of colours.**

The selection of driver assistance systems and mobility services available from BMW ConnectedDrive for the new BMW 6 Series Coupé is even broader than that enjoyed by its predecessor. These systems and services enable the intelligent link-up of the driver and car with the outside world, enhancing both comfort and safety and the use of the car's infotainment features. Among the options largely unmatched in this vehicle category are the Lane Change Warning System, Lane Departure Warning System, Speed Limit Info, BMW Night Vision with pedestrian recognition, the rear-view camera, Surround View and the BMW Parking Assistant. Innovative technologies optimise the integration of the Apple iPhone and other smartphones, as well as music players. And, in addition to internet access, BMW ConnectedDrive also allows email messages received on a smartphone to be shown on the Control Display, as well as the use of internet-based services for navigation and entertainment. Other functions not offered by the new Coupé's rivals include the location-based telephone information service from BMW Assist and the Advanced Emergency Call function with automatic vehicle location and accident severity detection.

The optional BMW Head-Up Display – which projects important information onto the windscreen, directly in the driver's line of sight – remains the only system of its kind in the segment. And the latest generation of this BMW innovation is now available in the new BMW 6 Series Coupé. For the first time, a full spectrum of colours is used to display graphics and symbols, making road sign symbols, for example, impressively realistic. At the same time, the Head-Up Display is now able to present a wider range of information. Depending on vehicle specification, the following can be shown in the Head-Up Display: High Guiding function information supplied by the navigation system, information from the Speed Limit Info system, Check/Control messages, status messages from the Lane Departure Warning System and warnings from the BMW Night Vision system.



## **Top-class comfort features: Bang & Olufsen High-End Surround Sound System delivers an unparalleled audio experience.**

The standard-fitted comfort-enhancing features on board the new BMW 6 Series Coupé include 2-zone climate control, a multifunction steering wheel, electric steering column adjustment, electrically adjustable and heated exterior mirrors, Cruise Control with braking function, a rain sensor with integrated automatic driving lights control, and a HiFi audio system complete with nine speakers, MP3-compatible CD drive and AUX-IN connection. Meanwhile, technology such as a DVD changer, TV module, DAB (Digital Audio Broadcasting) receiver and USB audio interface allows passengers to enjoy their personal choice of on-board entertainment.

When it comes to delivering audio pleasure of the highest order, the Bang & Olufsen High-End Surround Sound System designed especially for the new BMW 6 Series Coupé hits all the right notes. Jointly developed by the Danish audio specialists and BMW, this system produces an exceptionally natural sound from 16 speakers distributed around the cabin. It is a fully active system featuring digital signal processing, which means the two bass speakers, seven mid-range speakers and seven tweeters all have individual amplifiers. This technology enables the targeted modification of any sound reflections inside the vehicle. The Bang & Olufsen High-End Surround Sound System uses Dirac Dimensions™ technology to recreate the acoustics of a reference listening room in the passenger compartment. All vehicle occupants therefore enjoy the same high-quality sound stage wherever they are sitting.

The electrical signals are converted into precisely defined sound waves using neodymium magnet drivers, and the mid-range speakers feature extremely stiff Hexacone diaphragms. The outstanding quality of the Bang & Olufsen High-End Surround Sound System is underlined by exclusive design features. The form and colour of the advanced all-aluminium speaker grilles have been tailored precisely to the interior design of the new BMW 6 Series Coupé. The special perforation pattern of the grilles is created using a very sophisticated drilling technique. The grille mounts are not visible from the outside, ensuring that the grilles stand out from their surroundings by appearing to float in a slightly raised position above the surface. This exclusive ambience is further enhanced by a discreet lighting effect, which showcases the contours of the sound sources with a subtly impressive effect. A both visually and acoustically

significant innovation, meanwhile, is the novel design of the centre speaker in the instrument panel area, which uses Acoustic Lens Technology developed by Bang & Olufsen to provide a particularly harmonious sound. As soon as the audio system is activated, the central element containing the integrated mid-range speaker pops up, prompting the tweeter lens to be extended at the same time. The tweeter lens distributes its signals evenly at 180 degrees throughout the interior. This extraordinarily harmonious horizontal dispersion of sound is achieved through the special design of the lens, which also minimises unwanted vertical sound dispersion.

Among the other highlights on the options list are Adaptive Headlights, a heated steering wheel, Comfort Access and the electrically operated panoramic sunroof with tilt function, whose glass cover – with a clear surface spanning 806 x 578 millimetres – spreads across almost the full width of the car. The optional Navigation system Professional, featuring a hard disk for storing maps and personal music collections, uses the high-resolution graphics of the Control Display to give a particularly detailed overview of the region the car is currently travelling through. As an alternative to the map display in full-screen mode, the driver can also make use of assistance windows. In addition, the High Guiding function with integrated lane recommendation transfers detailed views from the screen directly to the instrument cluster or, optionally, to the BMW Head-Up Display.

### **The BMW 6 Series Coupé: a sports car boasting outstanding dynamics and a fascinating heritage.**

The BMW brand's large Coupé once again embodies the essence of dynamic capability and exclusive driving pleasure in a stylish and luxurious two-door design. The new BMW 6 Series Coupé represents the latest chapter in a story which now stretches back more than 70 years, a heritage enriched by legendary motor racing glories and numerous icons of automotive design. The unmistakable characteristics which marked out the BMW 327, BMW 503, BMW 3200 CS, BMW 2000 CS and the large Coupés based on the BMW 3.0 CSi – and which since 1976 have been perpetuated by the BMW 6 Series models – can now be enjoyed once again in a fresh interpretation inspired by the future. And so the new BMW 6 Series Coupé reprises the role of trailblazer in terms of aesthetics, dynamics and innovative technology,

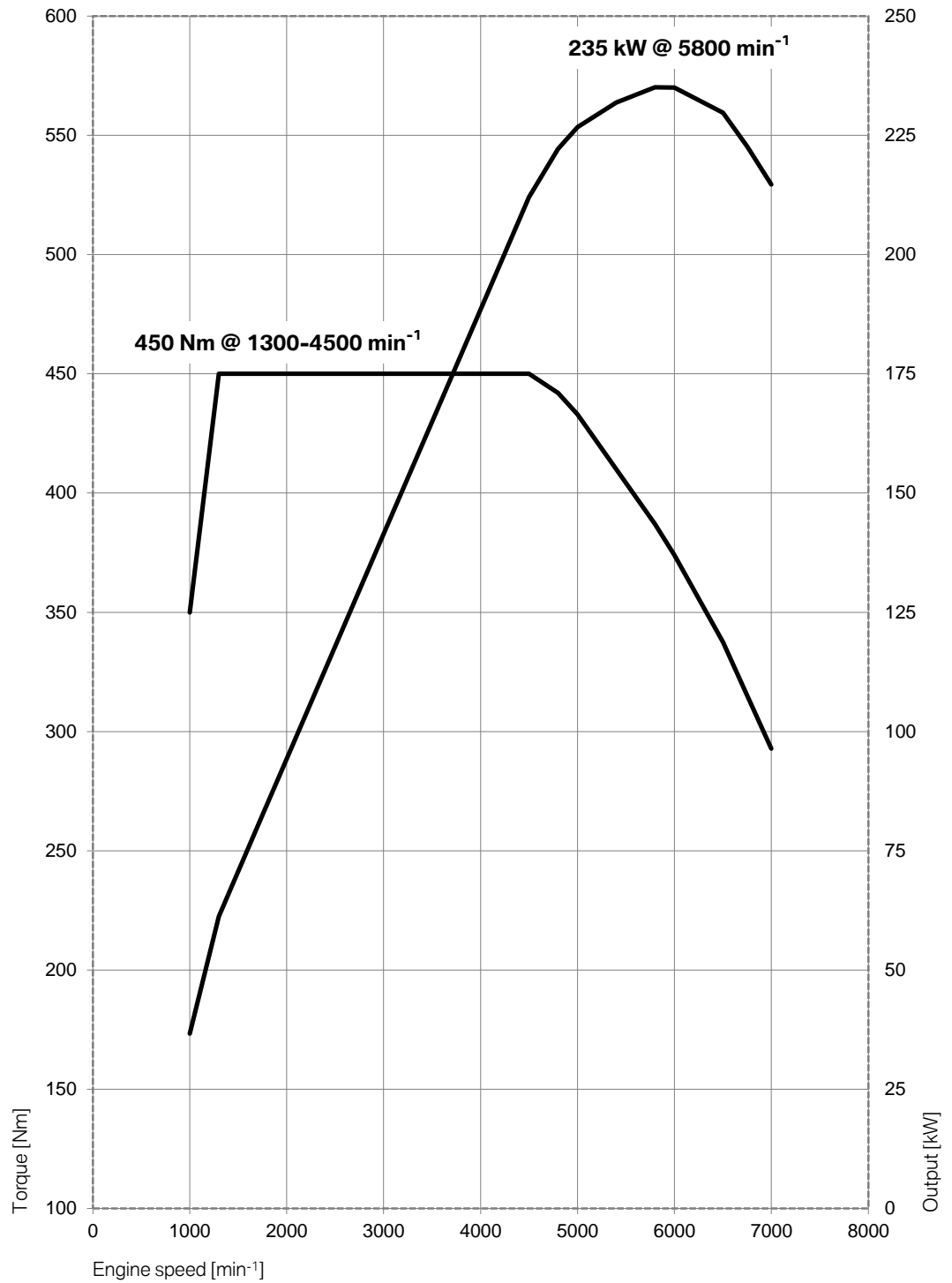
and provides the perfect next instalment in the tradition of inspirational dream cars from BMW.

The new BMW 6 Series Coupé will be built alongside the new BMW 6 Series Convertible at BMW's Dingolfing plant. The BMW Group's largest production plant also produces the BMW 7 Series and BMW 5 Series. The flexible and efficient manufacturing processes at the plant combine state-of-the-art production technology with a quality standard underpinned by unbeatable precision craftsmanship in the construction of customer-configured premium cars.

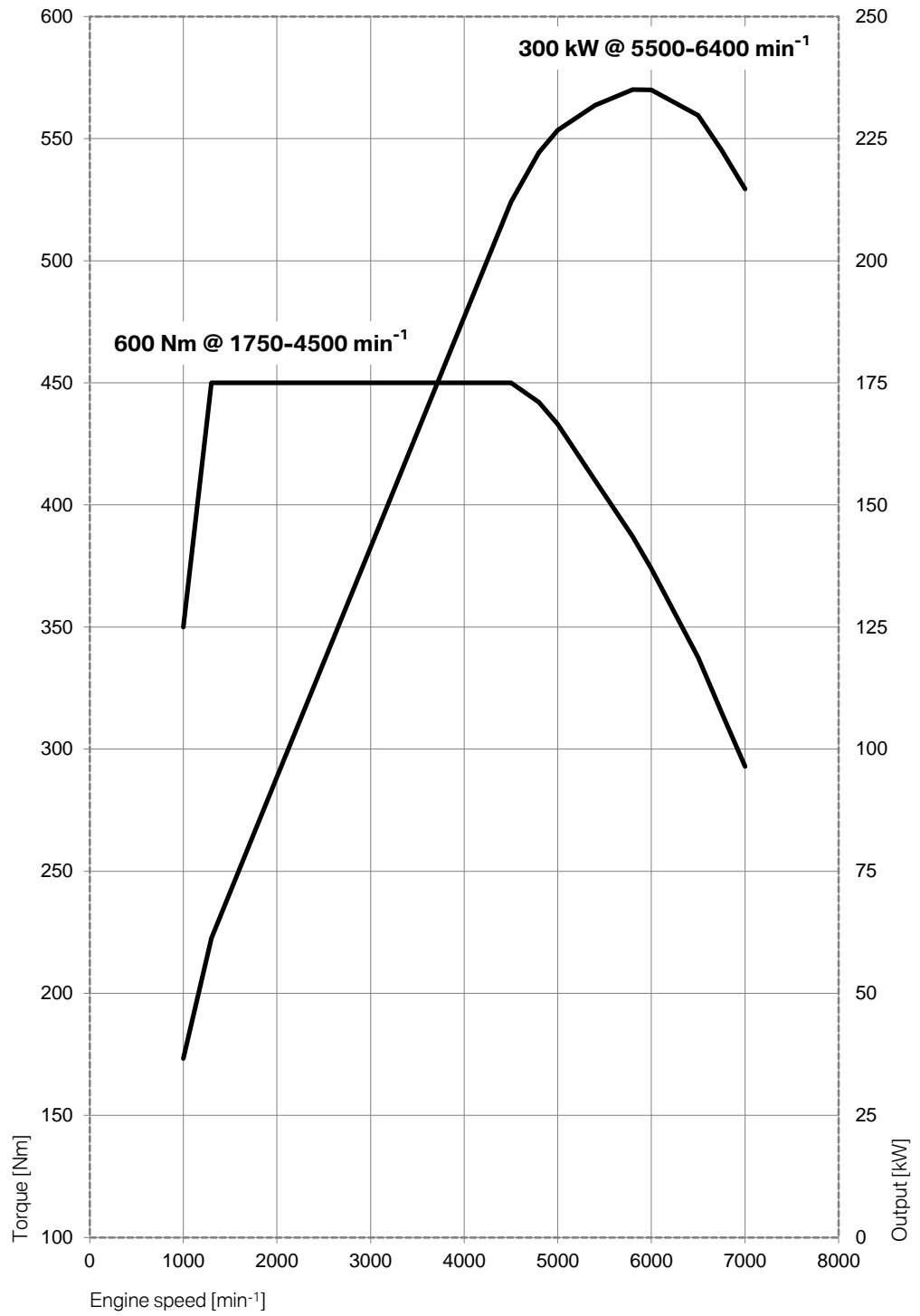
### 3. Output and torque diagrams.



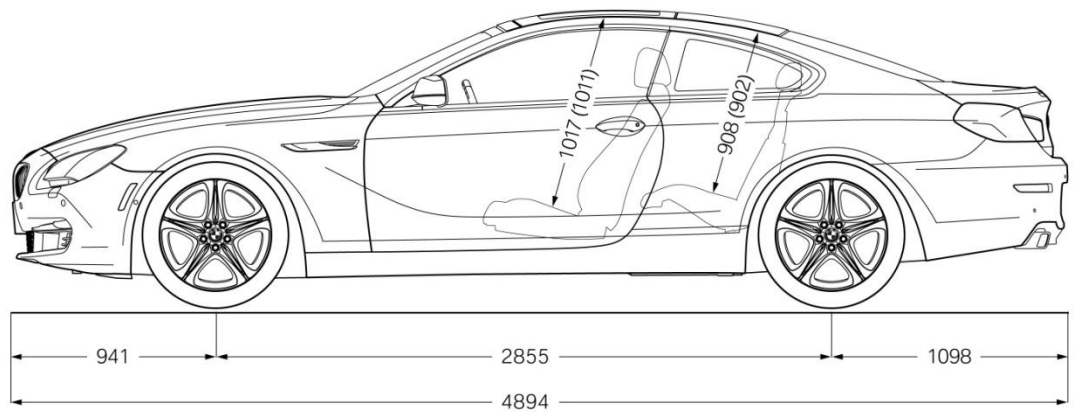
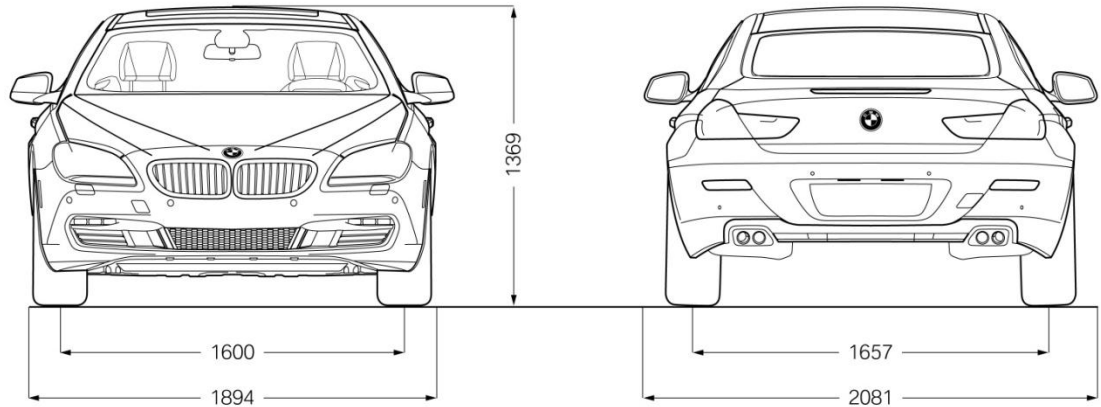
#### BMW 640i Coupé



### BMW 650i Coupé.



## 4. Exterior and interior dimensions. BMW 640i Coupé. BMW 650i Coupé.



Figures in ( ) apply to the glass vent roof.

